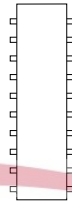


UDN2987x-6

DABIC-5 8-Channel Source Driver with Overcurrent Protection

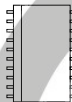
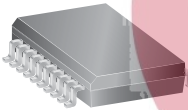


Package A, 20-pin DIP



Approximate Scale 1:1

Package LW, 20-pin SOIC-W



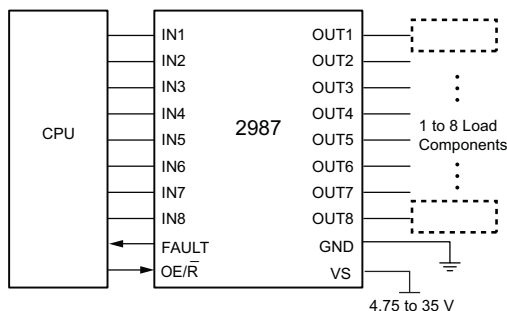
Features

- 4.75 to 35 V driver supply voltage
- Output enable-disable (OE/R)
- 350 mA output source current
- Overcurrent protected
- Internal ground clamp diodes
- Output Breakdown Voltage 35 V minimum
- TTL, DTL, PMOS, or CMOS compatible inputs
- Internal Thermal Shut Down (TSD)

Applications

- Relays
- Motors
- Solenoids
- LEDs
- Incandescent lamps

Typical Application



Providing overcurrent protection for each of its eight sourcing outputs, the UDN2987A-6 and UDN2987LW-6 drivers are used as an interface between standard low-level logic and relays, motors, solenoids, LEDs, and incandescent lamps. These devices include thermal shut down and output transient protection/clamp diodes for use with sustaining voltages to 35 V.

In these drivers, each channel includes a latch to turn off that channel if the maximum channel current is exceeded. All channels are disabled if the thermal shutdown is activated. A common FAULT output is used to indicate either chip thermal shutdown or any overcurrent condition. All outputs are enabled by pulling the common OE/R input high. When OE/R is low, all outputs are inhibited and the eight latches are reset. The OE/R function can be especially important during power-up, in preventing floating inputs from turning on the outputs.

Under normal operating conditions, each of eight outputs will source in excess of 100 mA continuously at an ambient temperature of 25°C and a supply of 35 V. The over-current fault circuit will protect the device from short-circuits to ground with supply voltages of up to 30 V.

The inputs are compatible with 5 and 12 V logic systems: TTL, Schottky TTL, DTL, PMOS, and CMOS. In all cases, the output is switched ON by an active high input level. Compared to their predecessor devices, the UDN2987A and UDN2987LW, the UDN2987A-6 and UDN2987LW-6 have a significantly faster T_{PHL} (200 ns typical) and a lower driver supply voltage rating (4.75 V), which allows the use of 5 V logic.

The UDN2987A-6 is supplied in a 20-pin dual in-line plastic (DIP) package; the UDN2987LW-6 is supplied in a 20-lead small-outline (SOIC-W) plastic package. The Pb (lead) free versions have 100% matte-tin leadframe plating.

Selection Guide

Part Number	Pb-free	Package	Packing
UDN2987A-6	–	20-pin DIP	18 pieces/tube
UDN2987A-6-T	Yes		
UDN2987LW-6	–	20-pin SOIC, wide body	37 pieces/tube
UDN2987LW-6-T	Yes		
UDN2987LWTR-6	–		1000 pieces/13-in. reel
UDN2987LWTR-6-T	Yes		

Absolute Maximum Ratings

Parameter	Symbol	Conditions	Min.	Max.	Units
Supply Voltage	V_S		–	35	V
Continuous Output Current*	I_{OUT}	Outputs are disabled at approximately –500 mA	–500	–	mA
FAULT Output Voltage	V_{CE}		–	35	V
FAULT Output Current	I_C		–	30	mA
Input Voltage	V_{IN}		–0.3	14	V
Junction Temperature	T_J		–	150	°C
Storage Temperature Range	T_S		–55	150	°C
Operating Temperature Range	T_A		–20	85	°C

*For input and output current specifications, negative current is defined as coming out of (sourcing) the specified device pin.

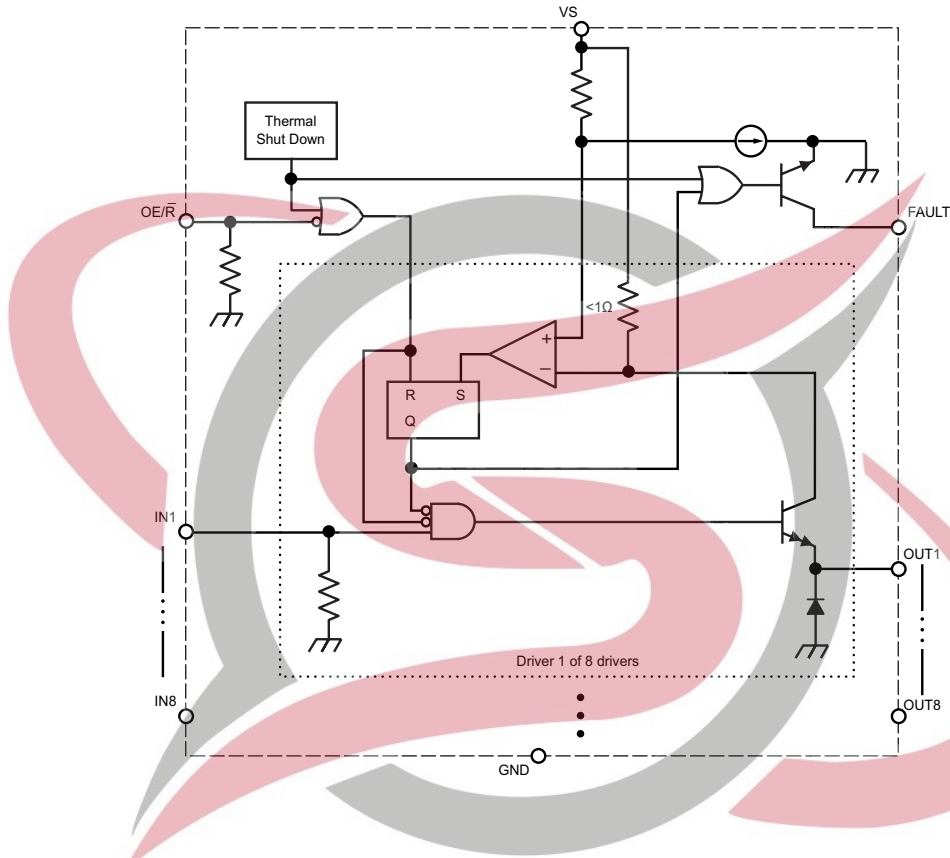


SKYTECH
ELECTRONIC

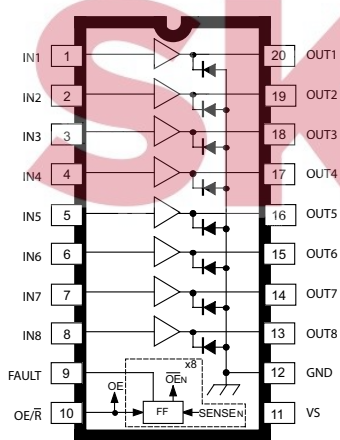
UDN2987x-6

DABIC-5 8-Channel Source Driver with Overcurrent Protection

Functional Block Diagram



Pin-Out Diagram



Dwg. PP-067

Package A (DIP) shown. Package LW (SOIC-W) is electrically identical and has the same terminal number assignment.

Terminal List Table

Number	Name	Description
1	IN1	Logic input 1
2	IN2	Logic input 2
3	IN3	Logic input 3
4	IN4	Logic input 4
5	IN5	Logic input 5
6	IN6	Logic input 6
7	IN7	Logic input 7
8	IN8	Logic input 8
9	FAULT	Fault output
10	OE/R	Logic input for Output Enable and Reset
11	VS	Supply voltage
12	GND	Supply ground
13	OUT8	Output 8 to load
14	OUT7	Output 7 to load
15	OUT6	Output 6 to load
16	OUT5	Output 5 to load
17	OUT4	Output 4 to load
18	OUT3	Output 3 to load
19	OUT2	Output 2 to load
20	OUT1	Output 1 to load

ELECTRICAL CHARACTERISTICS, valid at $T_A = 25^\circ\text{C}$, $V_{\text{OER}} = 2.4\text{ V}$, $V_S = 35\text{ V}$, unless otherwise noted

Characteristic	Symbol	Test Conditions	Min.	Typ. ¹	Max.	Units
Supply Voltage Functional Range	V_S		4.75	—	35	V
Output Leakage Current ²	I_{OUTCEX}	$V_{\text{IN}} = 0.4\text{ V}$, all inputs simultaneously	-200	<-5.0	-	μA
Output Sustaining Voltage	$V_{\text{OUT(SUS)}}$	$I_{\text{OUT}} = -350\text{ mA}$, $L = 2.0\text{ mH}$	35	—	—	V
Output Saturation Voltage	$V_{\text{OUT(SAT)}}$	$V_{\text{IN}} = 2.4\text{ V}$, $I_{\text{OUT}} = -100\text{ mA}$	—	1.6	1.8	V
		$V_{\text{IN}} = 2.4\text{ V}$, $I_{\text{OUT}} = -225\text{ mA}$	—	1.7	1.9	V
		$V_{\text{IN}} = 2.4\text{ V}$, $I_{\text{OUT}} = -350\text{ mA}$	—	1.8	2.0	V
Channel Shut Down Threshold ²	I_M	$V_{\text{IN}} = 2.4\text{ V}$, $V_S = 30\text{ V}$	-	-500	-370	mA
FAULT Leakage Current	I_{CEX}	$V_{\text{CC}} = 35\text{ V}$	—	<1.0	100	μA
FAULT Saturation Voltage	$V_{\text{CE(SAT)}}$	$I_C = 30\text{ mA}$	—	0.3	0.8	V
Input Voltage	$V_{\text{IN(ON)}}$		2.4	—	—	V
	$V_{\text{IN(OFF)}}$		—	—	0.4	V
Input Current: INx, OE/ \bar{R} pins	$I_{\text{IN(ON)}}$	$V_{\text{IN}} = 2.4\text{ V}$	—	—	100	μA
		$V_{\text{IN}} = 5.0\text{ V}$	—	—	600	μA
		$V_{\text{IN}} = 12\text{ V}$	—	—	1000	μA
	$I_{\text{IN(OFF)}}$	$V_{\text{IN}} = 0.4\text{ V}$	—	—	15	μA
Clamp Diode Leakage Current	I_R	$V_R = 35\text{ V}$, $T_A = 70^\circ\text{C}$	—	—	50	μA
Clamp Diode Forward Voltage	V_F	$I_F = 350\text{ mA}$	—	1.5	1.8	V
Supply Current	$I_{\text{S(ON)}}$	$V_{\text{IN}} = 2.4\text{ V}$, all inputs simultaneously; outputs open	—	7.0	18	mA
	$I_{\text{S(OFF)}}$	$V_{\text{IN}} = 0.4\text{ V}$, all inputs simultaneously	—	6.0	12	mA
Thermal Shut Down	T_{JTSD}		—	165	—	$^\circ\text{C}$
Thermal Hysteresis	T_{JTSDhys}		—	15	—	$^\circ\text{C}$
Reset Pulse Duration	t_{RPD}		1.0	—	—	μs
Propagation Delay Time	t_{PLH}	$V_S = 35\text{ V}$, $R_L = 100\ \Omega$, $C_{\text{LOAD}} = 30\text{ pF}$	—	100	600	ns
	t_{PHL}	$V_S = 35\text{ V}$, $R_L = 100\ \Omega$, $C_{\text{LOAD}} = 30\text{ pF}$	—	200	1000	ns
Blank Time	t_{BLANK}		—	1.0	—	μs

¹Typical data are for initial design estimations only, and assume optimum manufacturing and application conditions. Performance may vary for individual units, within the specified maximum and minimum limits.

²For input and output current specifications, negative current is defined as coming out of (sourcing) the specified device pin.

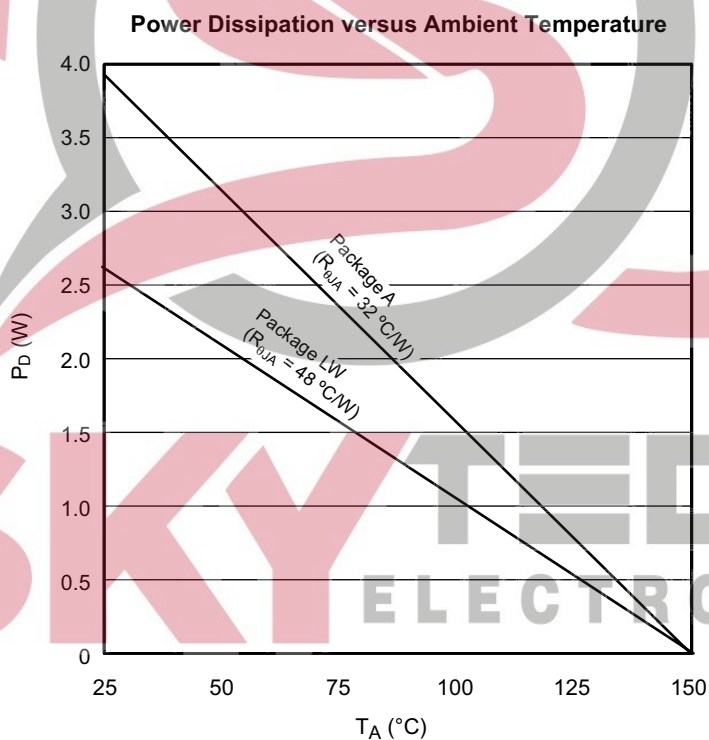
UDN2987x-6

DABIC-5 8-Channel Source Driver with Overcurrent Protection

THERMAL CHARACTERISTICS

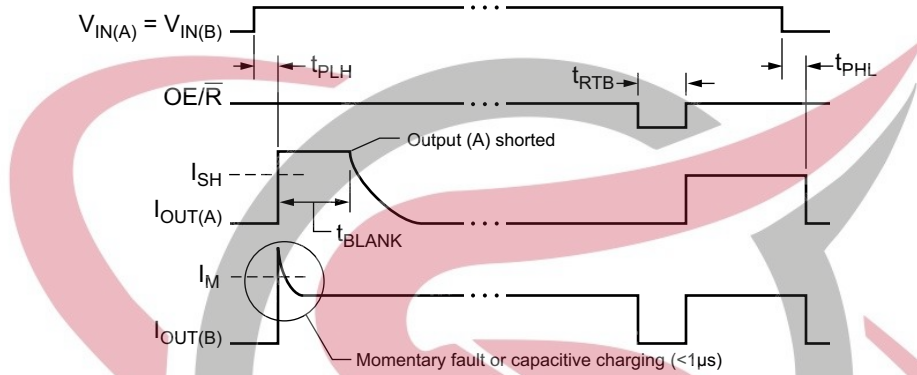
Characteristics	Symbol	Test Conditions	Rating	Unit
Package Thermal Resistance*	$R_{\theta JA}$	Package A, on 4-layer board based on JEDEC standard	32	°C/W
		Package LW, on 4-layer board based on JEDEC standard	48	°C/W

*Additional thermal information is available on the Allegro Web site.



Characteristic Performance

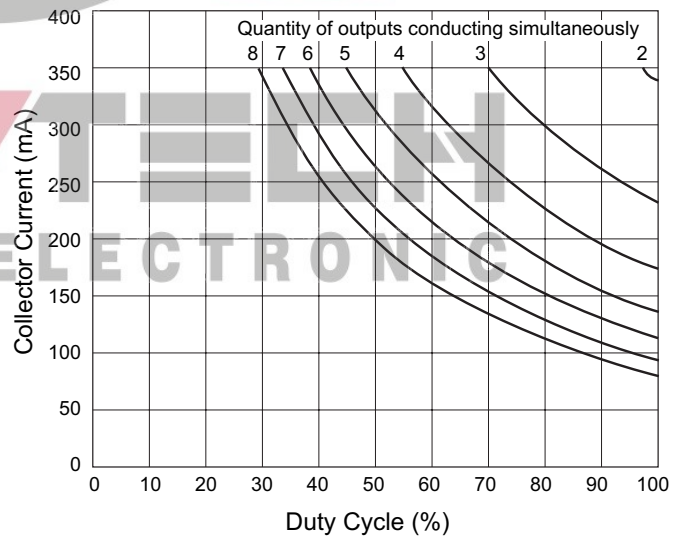
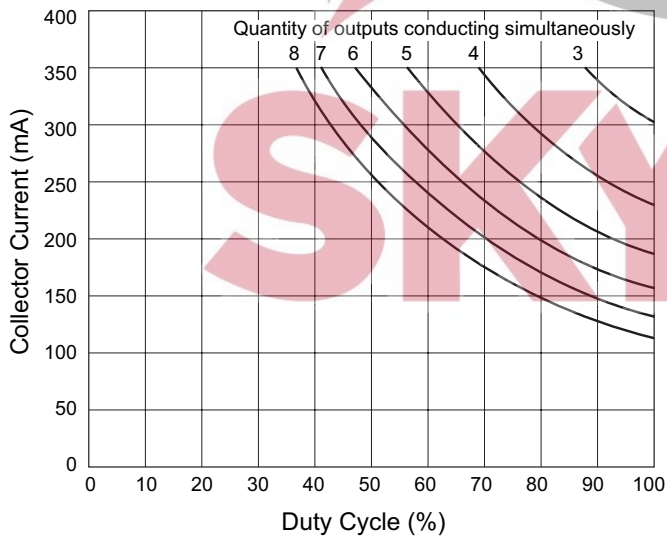
Output Current Waveshapes



Allowable Output Current as a Function of Duty Cycle (UDN2987A-6 shown, multiply by 78% for UDN2987LW-6)

$T_A = 25^\circ\text{C}, V_S = 35\text{ V}$

$T_A = 50^\circ\text{C}, V_S = 35\text{ V}$



Applications Information and Circuit Description

As with all power integrated circuits, the UDN2987A-6 and UDN2987LW-6 have a maximum allowable output current rating. The 500 mA rating **does not imply** that operation at that value is permitted or even obtainable. The channel output current trip point is specified as -370 mA, minimum; therefore, attempted operation at current levels greater than -370 mA may cause a fault indication and channel shut down. The device is tested at a maximum of -350 mA and that is the recommended maximum output current per driver. It provides protection for current overloads or shorted loads up to 30 V.

All outputs are enabled by pulling the OE/\bar{R} input high. When OE/\bar{R} is low or allowed to float (internal pull-down), all outputs are inhibited and the latches are reset. Note that the reset pulse duration (OE/\bar{R} low) should be at least $1\ \mu\text{s}$. This will ensure safe operation under attempted reset conditions with a shorted load. The latches are also reset during power-up, regardless of the state of the OE/\bar{R} input.

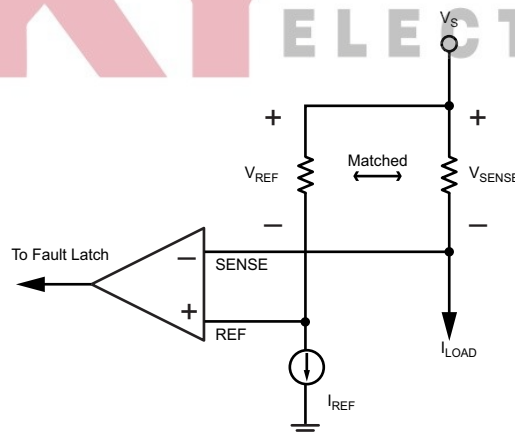
The load current causes a small voltage drop across the internal low-value sense resistor. This voltage is com-

pared to the voltage drop across a reference resistor with a constant current. The two resistors are matched to eliminate errors due to manufacturing tolerances or temperature effects. Each channel includes a comparator and its own latch. An overcurrent fault ($V_{\text{SENSE}} > V_{\text{REF}}$) will set the affected latch and shut down only that channel. All other channels will continue to operate normally. The latch includes a $1\ \mu\text{s}$ blanking delay, t_{BLANK} , to prevent unwanted triggering due to crossover currents generated when switching inductive loads. For an abrupt short circuit, the blanking and output switching times will allow a brief, permissible current in excess of the trip current before the output driver is turned off.

A common thermal shut down disables all outputs if the chip temperature exceeds 165°C . At thermal shut down, all latches are reset. The outputs are disabled until the chip cools down to approximately 150°C (thermal hysteresis).

In the event of an overcurrent condition on any channel, or chip thermal shut down, the FAULT open-collector output is pulled low (turned on).

Overcurrent Fault Sense Circuit

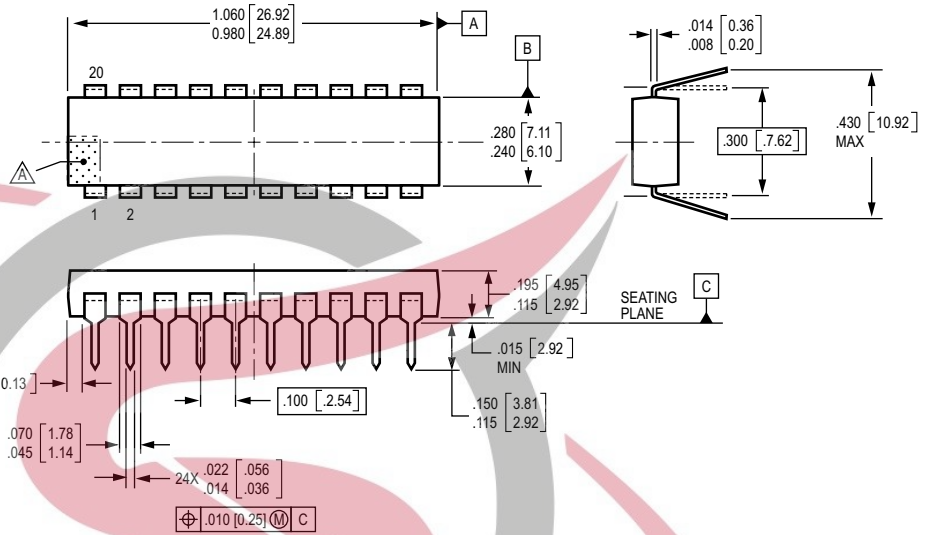


UDN2987x-6

DABIC-5 8-Channel Source Driver with Overcurrent Protection

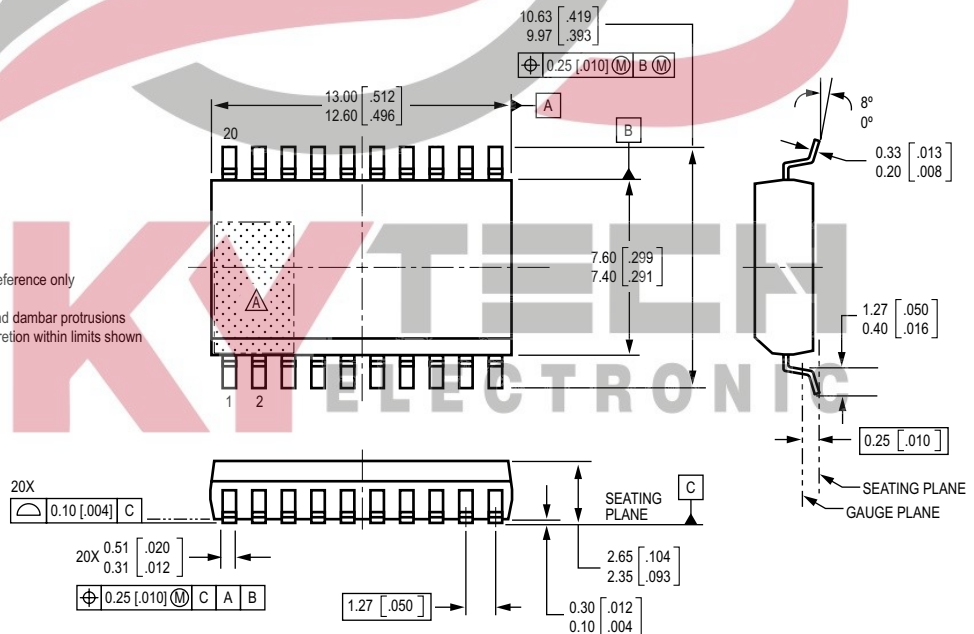
Package A, 20-Pin DIP

Preliminary dimensions, for reference only
 Dimensions in inches
 Metric dimensions (mm) in brackets, for reference only
 (reference JEDEC MS-001 AD)
 Dimensions exclusive of mold flash, gate burrs, and dambar protrusions
 Exact case and lead configuration at supplier discretion within limits shown
 ⚠ Terminal #1 mark area



Package LW, 20-pin SOIC-W

Preliminary dimensions, for reference only
 Dimensions in millimeters
 U.S. Customary dimensions (in.) in brackets, for reference only
 (reference JEDEC MS-013 AC)
 Dimensions exclusive of mold flash, gate burrs, and dambar protrusions
 Exact case and lead configuration at supplier discretion within limits shown
 ⚠ Terminal #1 mark area





The products described herein are manufactured under one or more of the following U.S. patents: 5,045,920; 5,264,783; 5,442,283; 5,389,889; 5,581,179; 5,517,112; 5,619,137; 5,621,319; 5,650,719; 5,686,894; 5,694,038; 5,729,130; 5,917,320; and other patents pending.

Allegro MicroSystems, Inc. reserves the right to make, from time to time, such departures from the detail specifications as may be required to permit improvements in the performance, reliability, or manufacturability of its products. Before placing an order, the user is cautioned to verify that the information being relied upon is current.

Allegro products are not authorized for use as critical components in life-support devices or systems without express written approval.

The information included herein is believed to be accurate and reliable. However, Allegro MicroSystems, Inc. assumes no responsibility for its use; nor for any infringement of patents or other rights of third parties which may result from its use.

Copyright©2006, Allegro MicroSystems, Inc.